



## 2 Kg CO<sub>2</sub> FIRE EXTINGUISHER



- **CYLINDER**  
Aluminum alloy AA6061, epoxy polyestere powder painting, Red Ral 3000.
- **EXTINGUISHING AGENT**  
Carbon Dioxide 99,99%
- **VALVE**  
Anti-magnetic type M. 25x2, stainless steel levers.
- **USE**  
B fire rating (flammable liquids)

**NOTE:**  
Fire extinguisher manufactured with low magnetic conductivity parts.

© REPRODUCTION IS PROHIBITED

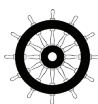
*Note: image is for illustrative purpose only, the product purchased can has some differences*

2 Kg CO<sub>2</sub> fire extinguisher, temperature range from -30°C to +60°C, manufactured in accordance to **UNI EN 3-7**, approved Marine Equipment Directive **MED 2014/90/EU**, certified according to the directive for pressure equipment PED 2014/68/EU.

Quality Product certification guaranteed by Bureau Veritas Italia.

Suitable for use on fire involving electrical voltages up to 1'000 V, at a distance of 1 mt.

APPROVED/CERTIFIED FIRE EXTINGUISHER:



**FIRE  
RATING :**



34

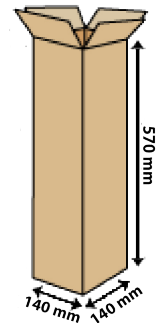
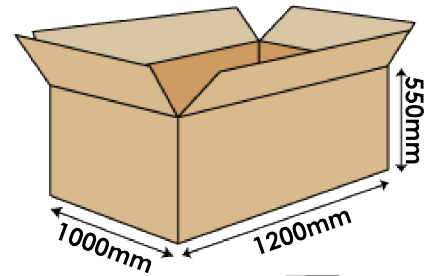
# 2 Kg CO<sub>2</sub> FIRE EXTINGUISHER

## TECHNICAL SPECIFICATIONS

FIRE RATING	34 B
EXTINGUISHING AGENT	Carbon Dioxide 99,99%
TEMPERATURE RANGE	-30°C / +60°C
NOMINAL CHARGE	2 Kg
FULL WEIGHT	~ 5,1 Kg
DIMENSIONS	Height(base-valve) 505 mm Diameter 117 mm
DISCHARGE TIME	8 sec.
VALVE TIGHTENING TORQUE	Minimum 95 Nm, Maximum 130 Nm
CYLINDER PRESSURE TEST	PT 212 bar
CYLINDER VOLUME	3 L.
SAFETY VALVE	Set at 185 +/- 15 bar
CYLINDER MATERIAL	Aluminum alloy AA6061
EXTERNAL/INTERNAL TREATMENT	Sandblast and epoxy polyester powder painting, Red Ral 3000 colour

## PACKAGING

STANDARD : maximum 80 pieces for pallet  
(80 pieces for box, max 1 box for pallet)  
Pallet dimensions 100x120x70(h) cm

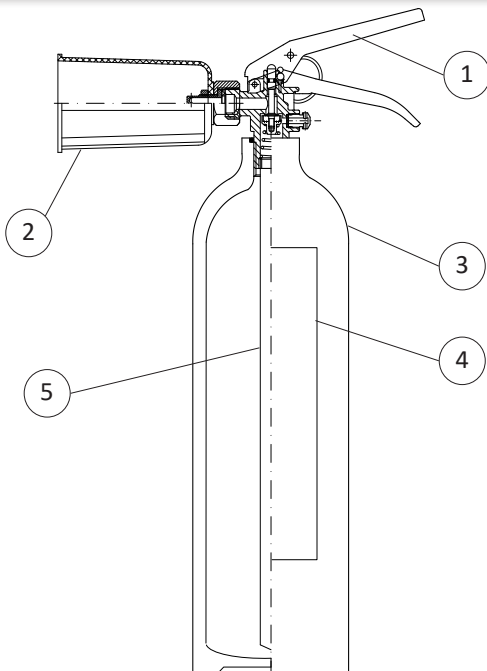


*Note: the packaging quantities and measurements are indicative and can be subject at changes*

SINGLE PACKAGING  
ON REQUEST

## MAINTENANCE AND INSTALLATION

For outdoor or marine installation is recommended to protect the fire extinguisher with cover or box. Maintenance according to the rules in use in utilization country.



## SPARE PARTS

NUMBER	DESCRIPTION	
1	Valve M. 25x2	
2	Horn	
3	Cylinder	
4	Label	
5	Aluminum dip tube	
	Safety pin seal	

			Rele.	Check	Rev.	Pag.
			M.R	MR	2	2