



5 Kg CO₂ FIRE EXTINGUISHER



OPTIONAL



- **CYLINDER**
Alloy steel, epoxypolyestere powder painting, Red Ral 3000.
- **EXTINGUISHING AGENT**
Carbon Dioxide 99,99%
- **VALVE**
CPF M. 25x2, brass body, levers with red painting Ral 3000.
- **USE**
B fire rating (flammable liquids)

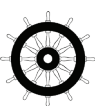
Note: image is for illustrative purpose only, the product purchased can has some differences

5 Kg CO₂ fire extinguisher, temperature range from -30°C to +60°C, manufactured in accordance to **UNI EN 3-7 (D.M. 7.1.2005)**, approved Marine Equipment Directive **MED 2014/90/EU**, certified according to the directive for pressure equipment PED 2014/68/EU.

Quality Product certification guaranteed by Bureau Veritas Italia.

Suitable for use on fire involving electrical voltages up to 1'000 V, at a distance of 1 mt.

APPROVED/CERTIFIED FIRE EXTINGUISHER:



FIRE RATING :



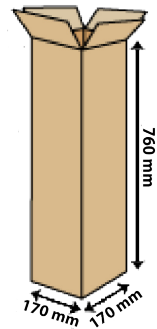
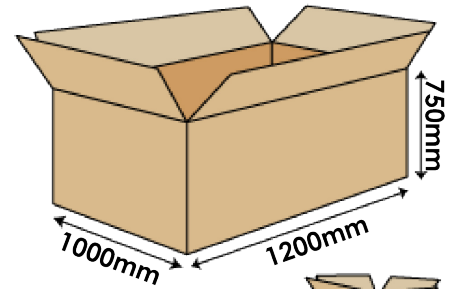
5 Kg CO₂ FIRE EXTINGUISHER

TECHNICAL SPECIFICATIONS

FIRE RATING	113 B
EXTINGUISHING AGENT	Carbon Dioxide 99,99%
TEMPERATURE RANGE	-30°C / +60°C
NOMINAL CHARGE	5 Kg
FULL WEIGHT	~ 13,8 Kg
DIMENSIONS	Height(base-valve) 750 mm Diameter 136 mm
DISCHARGE TIME	15 sec.
VALVE TIGHTENING TORQUE	Minimum 95 Nm, Maximum 130 Nm
CYLINDER PRESSURE TEST	PT 250 bar
CYLINDER VOLUME	7,5 L.
SAFETY VALVE	Set at 195 + 15/- 23 bar
CYLINDER MATERIAL	Alloy steel
EXTERNAL/INTERNAL TREATMENT	Sandblast and epoxy polyester powder painting, Red Ral 3000 colour

PACKAGING

STANDARD : maximum 65 pieces for pallet
(65 pieces for box, max 1 box for pallet)
Pallet dimensions 100x120x100(h) cm

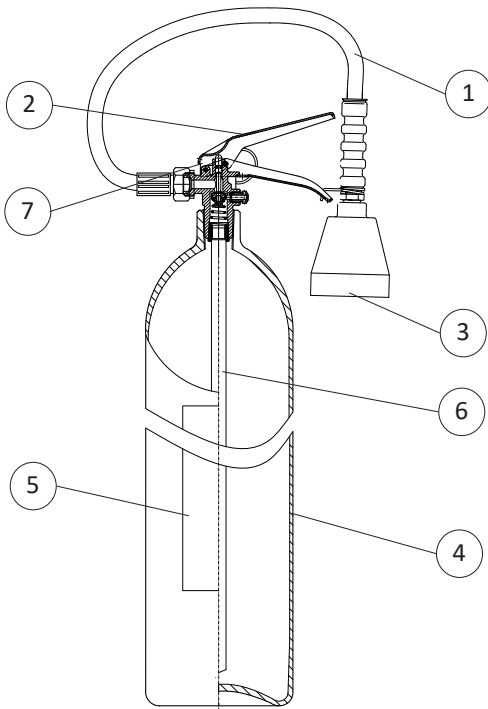


Note: the packaging quantities and measurements are indicative and can be subject at changes

SINGLE PACKAGING
ON REQUEST

MAINTENANCE AND INSTALLATION

For outdoor or marine installation is recommended to protect the fire extinguisher with cover or box. Maintenance according to the rules in use in utilization country.



SPARE PARTS

NUMBER	DESCRIPTION	
1	Hose SAE 100 R1 T ½"	
2	Valve M. 25x2	
3	Horn	
4	Cylinder	
5	Label	
6	Aluminum dip tube	
7	Safety pin	
	Safety pin seal	
	Safety valve	
OPTIONAL	Iron marine bracket red painting	
OPTIONAL	Stainless steel marine bracket	
OPTIONAL	Iron ring wall-mounted, red painting, Europe model	