



10kg CO₂ WHEELED FIRE EXTINGUISHER



Note: image is for illustrative purpose only, the product purchased can has some differences

10kg CO₂ wheeled fire extinguisher, temperature range from -30°C to +60°C, manufactured in accordance to **EN 1866-1**, approved to European Marine Directive **MED 2014/90/EU, S.O.L.A.S.** (Safety of life at sea) '74 (2000), certified according to the directive for pressure equipment PED 2014/68/EU.

Quality Product certification guaranteed by Bureau Veritas Italia.

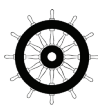
Suitable for use on fire involving electrical voltages up to 1000 V, at a distance of 1 mt.

- **CYLINDER**
Nr. 2 cylinders 5kg alloy steel, epoxy polyester powder painting, Red Ral 3000.
- **EXTINGUISHING AGENT**
Carbon Dioxide 99,99%
- **VALVE**
M. 25x2, brass body, red painting Ral 3000, with protection for valve.
- **USE**
B fire rating (flammable liquids)
- **BRACKET**
Chassis on wheels, red painting Ral 3000.

AVAILABLE VERSIONS

N.	DESCRIPTION
1	10kg CO ₂ fire extinguisher, complies MED 2014/90/EU

APPROVED/CERTIFIED FIRE EXTINGUISHER:



FIRE RATING :



144

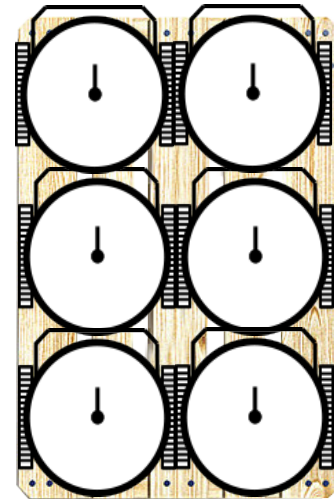
10kg CO₂ WHEELED FIRE EXTINGUISHER

TECHNICAL SPECIFICATIONS

FIRE RATING	144 B
EXTINGUISHING AGENT	CO ₂ 99,99%
TEMPERATURE RANGE	-30°C +60°C
NOMINAL CHARGE	10 Kg
FULL WEIGHT	~ 36 Kg
DIMENSIONS	Height 940 mm Width 430 mm Depth 480 mm
DISCHARGE TIME	16 sec.
VALVE TIGHTENING TORQUE	Minimum 95 Nm, Maximum 130 Nm
CYLINDER PRESSURE TEST	PT 250 bar
CYLINDER VOLUME	7,5 L. x 2
SAFETY VALVE	Set 195 +/- 10 bar
CYLINDER MATERIAL	Alloy steel
EXTERNAL/INTERNAL TREATMENT	Sandblast and epoxy polyester powder painting, Red Ral 3000 colour

PACKAGING

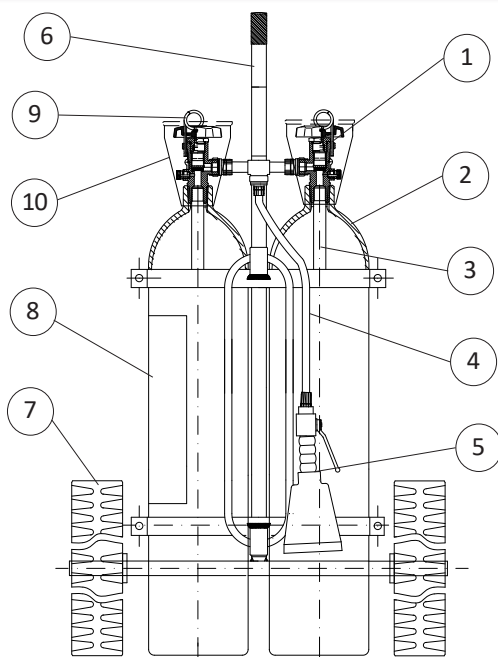
STANDARD : maximum 6 pieces for pallet
Pallet dimensions 100x120x110(h) cm



Note: the packaging quantities and measurements are indicative and can be subject at changes

MAINTENANCE AND INSTALLATION

For outdoor or marine installation is recommended to protect the fire extinguisher with cover. Maintenance according to the norm in use in utilization country.



SPARE PARTS

NUMBER	DESCRIPTION	
1	Valve M. 25x2	
2	Cylinder	
3	PVC dip tube	
4	Hose sae 100 R1 T1/2"	
5	Dispensing nozzle (complete of ball valve with control lever)	
6	Chassis	
7	Wheel + wheel stop (diam. 300mm)	
8	Label 17103-1	
	Label 14103-1	
9	Safety pin	
10	Valve protection	