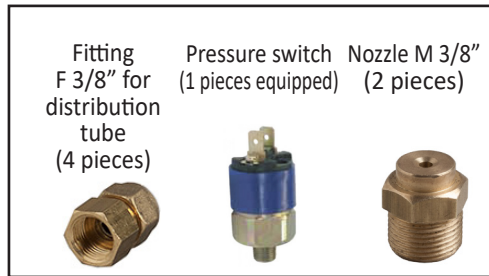




## AUTOMATIC DEVICE "MARE SERIES" 3-6-12 Kg Gas HFC

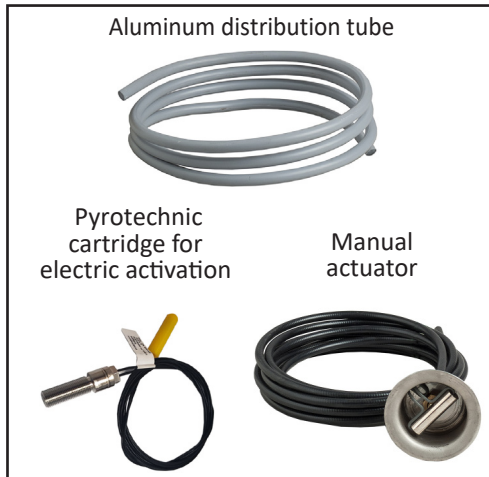


### Included accessories



Fitting F 3/8" for distribution tube (4 pieces)      Pressure switch (1 pieces equipped)      Nozzle M 3/8" (2 pieces)

### Not Included accessories (only on request)



Aluminum distribution tube  
Pyrotechnic cartridge for electric activation      Manual actuator

- **CYLINDER**  
Alloy steel, epoxy polyester powder painting, Red Ral 3000.
- **EXTINGUISHING AGENT**  
Gas HFC 227 ea.
- **PROPELLANT**  
Nitrogen (N<sub>2</sub>).
- **VALVE**  
Automatic M. 30x1.5, set 93 °C. (with bulb in standard equipment)  
Supplied with pressure switch set at 11 bar.
- **USE**  
A B fire rating (solid materials, flammable liquids).
- **ACTIVATION**  
- Automatic when bulb temperature is reached. On request (see optional):  
- with manual actuator with handle;  
- with pyrotechnic cartridge for electric activation.
- **BRACKET**  
Wall-mounted in standard equipment.

Note for pressure switch: The pressurized device is "normally open".  
The pressure switch alone, not installed on the device, is "normally closed".

Note: image is for illustrative purpose only, the product purchased can have some differences

Gas HFC Automatic Device, Mare Series, available charge 3, 6, 12 Kg, temperature range from -30°C to +60°C, certified according to the directive for pressure equipment PED 2014/68/EU. RINA certified, ISO 9094:2015. Quality Product certification guaranteed by Bureau Veritas Italia. Suitable for use on fire involving electrical voltages up to 1'000 V, at a distance of 1 mt.

### AVAILABLE VERSIONS

	GAS HFC QUANTITY	DIMENSIONS (without bracket) H x L max x Ø cylinder (mm)	M3/Kg	C % (concentration gas in volume)	DISTRIBUTION TUBE LENGTH	DISCHARGE TIME	COVERAGE AREA
	Kg 3	440 +/-5 x 140 +/-3 x 130 +/-1	0,1373	7,611	recommended 5 m	20 sec.	5 c.m.
	Kg 6	490 +/-5 x 160 +/-3 x 160 +/-3	0,1373	7,611	recommended 5 m	35 sec.	10 c.m.
	Kg 12	590 +/-5 x 190 +/-3 x 190 +/-3	0,1373	7,611	recommended 8 m	60 sec.	20 c.m.

APPROVED/CERTIFIED DEVICE:



**FIRE RATING**



# AUTOMATIC DEVICE "MARE SERIES"

## 3-6-12 Kg Gas HFC

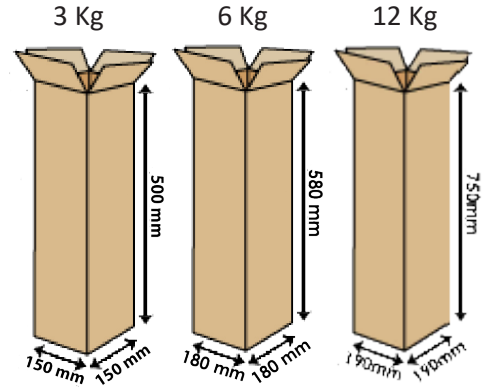
### TECHNICAL SPECIFICATIONS

FIRE RATING	A B
EXTINGUISHING AGENT	Gas HFC 227 ea
PROPELLANT	Nitrogen (N <sub>2</sub> ), 15 Bar at 20 °C
TEMPERATURE RANGE	-30°C / +60°C
CYLINDER PRESSURE TEST	PT 27 bar
VALVE TIGHTENING TORQUE	Between 40 and 50 Nm
CYLINDER MATERIAL	Alloy steel
EXTERNAL/INTERNAL TREATMENT	Sandblast and epoxy polyester powder painting, Red Ral 3000 colour

### PACKAGING

STANDARD : single packaging

*Note: the packaging quantities and measurements are indicative and can be subject at changes*



### MAINTENANCE AND INSTALLATION

Install the system in vertical position using the supplied bracket. Place the gas distribution pipe and fix the nozzles. Remove the safety pin to make operating system.

Recommended maintenance : every 6 months check pressure; every 72 months replace extinguishing agent; test after 144 months of production date.

### SPARE PARTS

N.	DESCRIPTION	
1	Valve M. 30x1.5 with thermosensible bulb for activation at 93°C	
2	Valve o-ring	
3	Pressure gauge	
4 - OPTIONAL	Manual actuator in control box(cable 10 m)	
5	Cylinder 3 Kg Cylinder 6 Kg Cylinder 12 Kg	
6	Iron bracket 3 Kg Iron bracket 6 Kg Iron bracket 12 Kg	
7	PVC dip tube 3 Kg PVC dip tube 6 Kg PVC dip tube 12 Kg	
8	Brass dispensing nozzle M 3/8"	
9 - OPTIONAL	Aluminum distribution tube Ø 10, PVC coated	
10	Fitting F 3/8" for distribution tube	
OPTIONAL	Pyrotechnic cartridge	
11	Label	
	Pressure switch 1/8" for valve, set at 11 bar	

EXAMPLE OF AUTOMATIC DEVICE INSTALLATION

