

Use and Maintenance Technical Manual

BIOGENESIS



Biogenesis S.r.l.
www.bio-genesis.it

Portable Fire Extinguisher, 2 L Foam



- **CYLINDER**
In high-strength alloy steel, deep drawing, external powder painting Red Ral 3000.
- **EXTINGUISHING AGENT**
Water-based foam.
- **PROPELLANT**
Dehumidified air or nitrogen (N₂).
- **VALVE**
M. 30x1.5, brass body, levers with red painting Ral 3000.
- **USE**
A B F fire rating
(solid materials, flammable liquids, cooking oils).

Note: image is for illustrative purpose only, the product purchased can has some difference

2 L foam fire extinguisher, temperature range from 0°C to +60°C, manufactured in accordance to **UNI EN 3-7, (D.M. 7.1.2005)**, certified according to the directive for pressure equipment PED 2014/68/EU.

Quality Product certification guaranteed by Bureau Veritas Italia.

Suitable for use on fire involving electrical voltages up to 1'000 V, at a minimum distance of 1 meter.

APPROVED/CERTIFIED FIRE EXTINGUISHER:



For MED 2014/90/UE version:
cod. 27021



**FIRE
RATING :**



13



55



25

Portable Fire Extinguisher, 2 L Foam

TECHNICAL SPECIFICATIONS

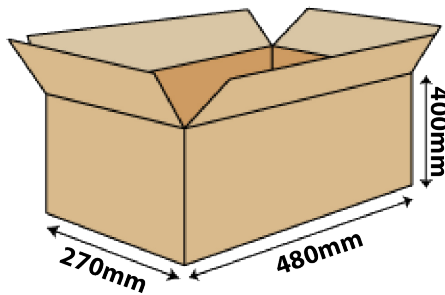
FIRE RATING	13 A 55 B 25 F
EXTINGUISHING AGENT	Foam EWAB15 (2 % SC-6 + 10 % Inilam AX + 88 % water)
PROPELLANT	Dehumidified air or Nitrogen (N ₂), 15 bar at 20°C
TEMPERATURE RANGE	0°C / +60°C
NOMINAL CHARGE	2 Liters
FULL WEIGHT	~ 3,9 Kg (with bracket)
DIMENSIONS	Height (base - valve) 370 +/- 5 mm Diameter (cylinder) 110 +/- 2 mm
DISCHARGE TIME	~ 10,5 seconds
VALVE TIGHTENING TORQUE	Minimum 45 Nm, Maximum 68 Nm
CYLINDER PRESSURE TEST	PT 27 bar
CYLINDER VOLUME	2,4 L.
SAFETY DEVICE	Set between 20 and 26 bar
CYLINDER MATERIAL	Alloy steel
EXTERNAL /INTERNAL TREATMENT	Sandblast and powder painting, Red Ral 3000 colour / Plastic coating

PACKAGING

(Note: the packaging quantities and measurements are indicative and can be subject at changes)

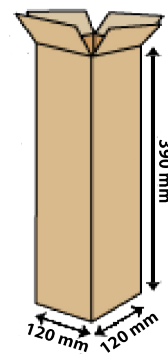
STANDARD

Note: minimum 8 pieces
Maximum nr. 256 pieces for pallet
(32 boxes with 8 pieces for each one)
Pallet dimensions 100x120 cm



ON REQUEST: SINGLE PACKAGING

- maximum 192 pieces on pallet 100x120



TRANSPORT DISPOSAL

Land transport : Exemption for the purposes of ADR disposal 594

Ship Transport : IMDG Code - UN 1044 class 2.2 Fire Extinguishers

Portable Fire Extinguisher, 2 L Foam

COMPONENTS AND SPARE PARTS LIST

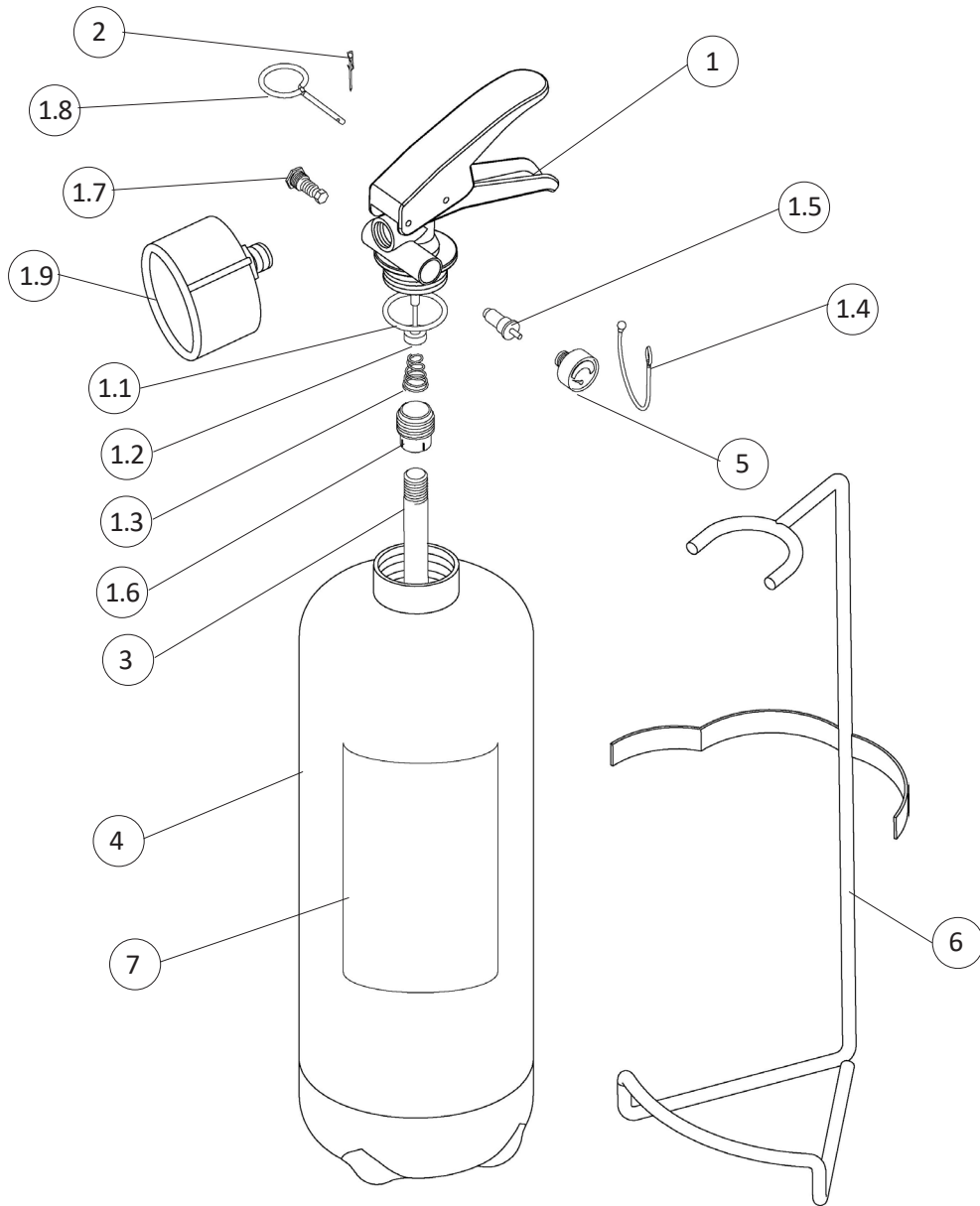


Table 1

NUM.	DESCRIPTION	NUM.	DESCRIPTION
1	Valve M. 30x1.5	1.9	Dispensing horn
1.1	O-ring valve	2	Safety pin seal (green)
1.2	Valve stem	3	PVC dip tube
1.3	Internal spring of the valve	4	Cylinder
1.4	Tamper seal (red)	5	Pressure gauge
1.5	Test valve for pressure gauge	6	Bracket
1.6	Dip tube holder	7	Label
1.7	Safety device		Foam refill
1.8	Safety pin		(1 L. bottle, ready to use)

The spare part at number 1 includes already all others components indicated from 1.1 to 1.9
 "n.a." mean that the component is not available as single spare part