



6 L. Foam FIRE EXTINGUISHER



- **CYLINDER**
Stainless steel AISI 304, 3 pieces drawing, epoxypolyestere powder painting, Red Ral 3000.
- **EXTINGUISHING AGENT**
Water foam
- **PROPELLANT**
Dehumidified air or N₂.
- **VALVE**
CPF M. 30x1.5, brass body, with anti-corrosion treatment.
- **USE**
A B F fire rating (solid materials, flammable liquids, cooking oils).

© REPRODUCTION IS PROHIBITED

Note: image is for illustrative purpose only, the product purchased can has some differences

6 L. foam fire extinguisher, temperature range from +5°C to +60°C, manufactured in accordance to **UNI EN 3-7 (D.M. 7.1.2005)**, certified according to the directive for pressure equipment PED 2014/68/EU.

Quality Product certification guaranteed by Bureau Veritas Italia.

Suitable for use on fire involving electrical voltages up to 1'000 V, at a distance of 1 mt.

APPROVED/CERTIFIED FIRE EXTINGUISHER:



FIRE RATING :



43



233



75

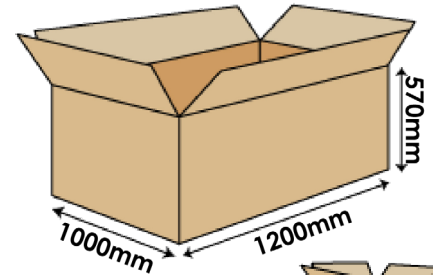
6 L. Foam FIRE EXTINGUISHER

TECHNICAL SPECIFICATIONS

FIRE RATING	43 A 233 B 75 F
EXTINGUISHING AGENT	EWAB1 foam
PROPELLANT	Dehumidified air or N ₂ , 15 Bar at 20°C
TEMPERATURE RANGE	+5°C / +60°C
NOMINAL CHARGE	6 L.
FULL WEIGHT	~ 8,4 Kg
DIMENSIONS	Height(base-valve) 535 mm Diameter 160 mm
DISCHARGE TIME	21 sec.
VALVE TIGHTENING TORQUE	Minimum 45 Nm, Maximum 68 Nm
CYLINDER PRESSURE TEST	PT 27 bar
CYLINDER VOLUME	7,8 L.
SAFETY VALVE	Set between 20 and 24 bar
CYLINDER MATERIAL	Stainless steel AISI 304
EXTERNAL/INTERNAL TREATMENT	Sandblast and epoxypolyestere powder painting, Red Ral 3000 colour

PACKAGING

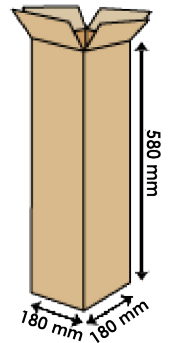
STANDARD : maximum 100 pieces for pallet
(44 pieces for box, max 2 boxes for pallet)
(12 pieces in single packaging)
Pallet dimensions 100x120x160(h) cm



SINGLE PACKAGING

ON REQUEST:

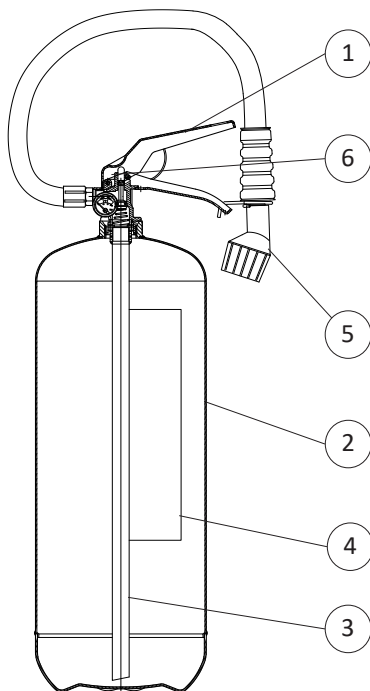
- maximum 64 pieces on pallet 100x120 cm
- maximum 48 pieces on pallet 80x120 cm



Note: the packaging quantities and measurements are indicative and can be subject at changes

MAINTENANCE AND INSTALLATION

For outdoor or marine installation is recommended to protect the fire extinguisher with cover or box. Maintenance according to the rules in use in utilization country.



SPARE PARTS

NUMBER	DESCRIPTION	
1	Valve M. 30x1.5	
2	Cylinder	
3	PVC dip tube	
4	Label	
5	Hose with dispensing nozzle	
6	Safety pin	
	Safety valve	
	Safety pin seal	
	EWAB1 foam (6 L. recharge, ready to use)	