



## 150 L. Water + Additive WHEELED FIRE EXTINGUISHER



*Note: image is for illustrative purpose only, the product purchased can has some differences*

- **CYLINDER**  
Stainless steel AISI 304, epoxy polyester powder painting, Red Ral 3000.
- **EXTINGUISHING AGENT**  
Water + additive .
- **PROPELLANT**  
Fire extinguisher pressurized at moment of use with Nitrogen external cylinder, complete of protection for valve .
- **CAP**  
Brass body, 2".
- **USE**  
A B fire rating (solid materials, flammable liquids).
- **BRACKET**  
Chassis on wheels, welded at the cylinder, red painting Ral 3000.

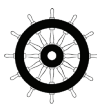
© REPRODUCTION IS PROHIBITED

150 L. water + additive wheeled fire extinguisher, pressurized at moment of use, temperature range from +5°C to +60°C, manufactured in accordance to **UNI EN 1866-1**, approved Marine Equipment Directive **MED 2014/90/EU**, certified according to the directive for pressure equipment PED 2014/68/EU.

Quality Product certification guaranteed by Bureau Veritas Italia.

Suitable for use on fire involving electrical voltages up to 1'000 V, at a distance of 1 mt.

APPROVED/CERTIFIED FIRE EXTINGUISHER:



**FIRE RATING :**



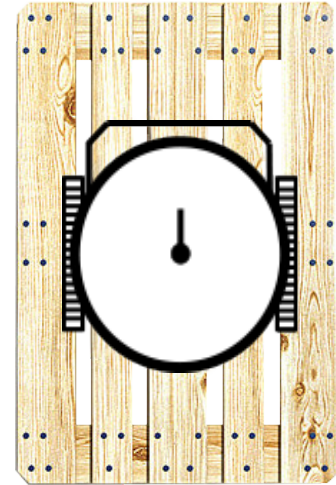
# 150 L. Water + Additive WHEELED FIRE EXTINGUISHER

## TECHNICAL SPECIFICATIONS

FIRE RATING	A IV B
EXTINGUISHING AGENT	Water + additive (98 % Water + 2 % SC-6)
PROPELLANT	Nitrogen 110 bar
TEMPERATURE RANGE	+5°C / +60°C
NOMINAL CHARGE	150 L
FULL WEIGHT	~ 220Kg
DIMENSIONS	Height 1350 mm Width 750 mm Depth 640 mm
DISCHARGE TIME	139 sec.
CAP TIGHTENING TORQUE	Minimum 60 Nm, Maximum 70 Nm
CYLINDER PRESSURE TEST	PT 30 bar
CYLINDER VOLUME	170 L.
SAFETY DEVICE	Set between 21 and 26 bar
CYLINDER MATERIAL	Stainless steel AISI 304
EXTERNAL/INTERNAL TREATMENT	Sandblast and epoxy polyestere powder painting, Red Ral 3000 colour

## PACKAGING

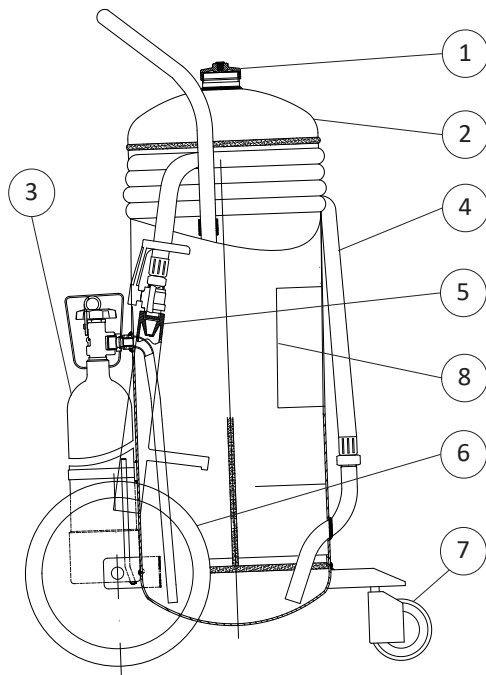
STANDARD : maximum 1 pieces for pallet  
Pallet dimensions 100x120x150(h) cm



*Note: the packaging quantities and measurements are indicative and can be subject at changes*

## MAINTENANCE AND INSTALLATION

For outdoor or marine installation is recommended to protect the fire extinguisher with cover. Maintenance according to the rules in use in utilization country.



## SPARE PARTS

NUMBER	DESCRIPTION	
1	Brass cap, 2"	
2	Cylinder	
3	External cylinder Nitrogen, complete of protection for valve	
4	Hose	
5	Dispensing nozzle (complete of ball valve with control lever)	
6	Wheel + wheel stop (diam. 400mm)	
7	Rotating wheel	
8	Label	
	Additive (3 Lt. concentrate) (To mix with water, suitable for 1 recharge)	