

Use and Maintenance Technical Manual

BIOGENESIS



Biogenesis S.r.l.
www.bio-genesis.it

Wheeled Fire Extinguisher, 25 L Water + Additive



Note: image is for illustrative purpose only, the product purchased can have some differences

25 L water + additive wheeled fire extinguisher, temperature range from +5°C to +60°C, manufactured in accordance to **UNI EN 1866-1 (D.M. 6.3.92)**, approved Marine Equipment Directive **MED 2014/90/EU**, certified according to the directive for pressure equipment **PED 2014/68/EU**.

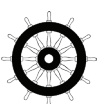
Quality Product certification guaranteed by Bureau Veritas Italia.

Suitable for use on fire involving electrical voltages up to 1.000 V, at a distance of 1 meter.

- **CYLINDER**
Stainless steel AISI 304, epoxy polyester powder painting, Red Ral 3000.
- **EXTINGUISHING AGENT**
Water + additive .
- **PROPELLANT**
Dehumidified air or Nitrogen (N₂).
- **VALVE**
2"-F , brass body, lever with red painting Ral 3000.
- **USE**
A B fire rating
(solid materials, flammable liquids).
- **BRACKET**
Chassis on wheels, welded at the cylinder, red painting Ral 3000.

© REPRODUCTION IS PROHIBITED

APPROVED\CERTIFIED FIRE EXTINGUISHER:



FIRE RATING :



Wheeled Fire Extinguisher, 25 L Water + Additive

TECHNICAL SPECIFICATIONS

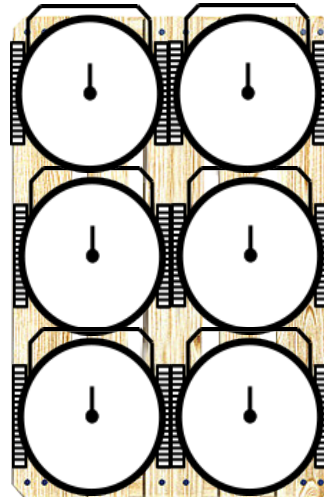
FIRE RATING	A IV B
EXTINGUISHING AGENT	Water+ additive (2 % SC-6 orchidee + 98 % Water)
PROPELLANT	Dehumidified air or Nitrogen (N ₂), 15 bar at 20°C
TEMPERATURE RANGE	+5°C / +60°C
NOMINAL CHARGE	25 L.
FULL WEIGHT	~ 45 Kg
DIMENSIONS	Height 930 +/-10 mm ; Width 420 +/-10 mm Depth 480 +/-15 mm
DISCHARGE TIME	~ 27,6 seconds
VALVE TIGHTENING TORQUE	Minimum 60 Nm, Maximum 70 Nm
CYLINDER PRESSURE TEST	PT 30 bar
CYLINDER VOLUME	31 L.
SAFETY DEVICE	Set between 21 and 26 bar
CYLINDER MATERIAL	Stainless steel AISI 304
EXTERNAL\INTERNAL TREATMENT	Sandblast and epoxy polyester powder painting, Red Ral 3000 colour.

PACKAGING

(Note: the packaging quantities and measurements are indicative and can be subject at change)

STANDARD

Maximum nr. 6 pieces for pallet
Dimensions pallet 100x120x120(h) cm



TRANSPORT PROVISIONS

Land transport : ADR exemption as provision 594

Sea transport : IMDG - UN 1044 code 2.2 class Extinguishers

Wheeled Fire Extinguisher, 25 L Water + Additive

COMPONENTS AND SPARE PARTS

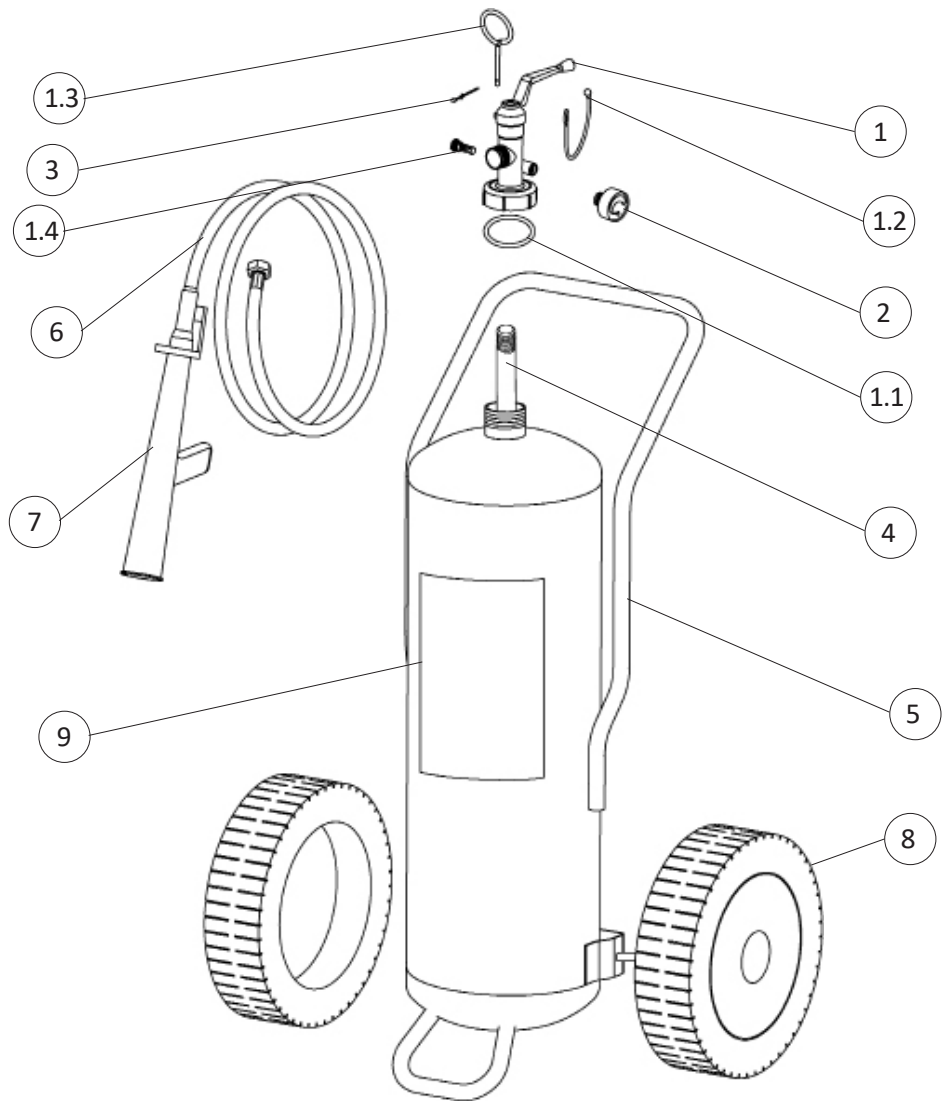


Table 1

NUM.	DESCRIPTION	
1	Valve 2"-F	
1.1	O-ring	
1.2	Tamper seal (red)	
1.3	Safety pin	
1.4	Safety device	
2	Pressure gauge	
3	Safety pin holder (green)	
4	PVC dip tube	

NUM.	DESCRIPTION	
5	Cylinder	
6	Hose	
7	Dispensing nozzle (complete of ball valve with control lever and inox filter for foaming)	
8	Wheel + wheel stop (diam. 300mm)	
9	Label	
	Additive (1 Lt. concentrate) (To mix with water, suitable for 2 recharge)	

The spare part at number 1 includes already all others components indicated from 1.1 to 1.4