



6 Kg Powder FIRE EXTINGUISHER



CLIP DETAIL



- **CYLINDER**
Stainless steel AISI 304, 3 pieces drawing, with clip, polished.
- **EXTINGUISHING AGENT**
ABC powder - MAP 20 %
- **PROPELLANT**
Dehumidified air or N₂ .
- **VALVE**
M. 58x2, lightweight aluminum alloy AA6061 body, with external check valve, black painting.
- **USE**
A B C fire rating (solid materials, flammable liquids, flammable gas).
- **BRACKET**
Wall-mounted for valve, in standard equipment.

Note: image is for illustrative purpose only, the product purchased can has some differences

6 Kg powder fire extinguisher, temperature range from -30°C to +60°C, manufactured in accordance to **EN 3-7**, certified according to the directive for pressure equipment PED 2014/68/EU.

Quality Product certification guaranteed by Bureau Veritas Italia.

Suitable for use on fire involving electrical voltages up to 1'000 V, at a distance of 1 mt.

APPROVED/CERTIFIED FIRE EXTINGUISHER:



FIRE RATING :



34



233



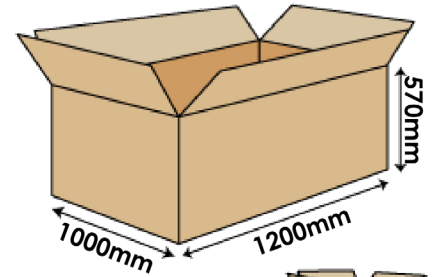
6 Kg Powder FIRE EXTINGUISHER

TECHNICAL SPECIFICATIONS

FIRE RATING	34 A 233 B C
EXTINGUISHING AGENT	EPW 18462 ABC powder - MAP 20 %
PROPELLANT	Dehumidified air or N ₂ ,15 Bar at 20°C
TEMPERATURE RANGE	-30°C / +60°C
NOMINAL CHARGE	6 Kg
FULL WEIGHT	~ 8,8 Kg
DIMENSIONS	Height 560 mm Diameter 160 mm
DISCHARGE TIME	18,5 sec.
VALVE TIGHTENING TORQUE	Minimum 40 Nm, Maximum 60 Nm
CYLINDER PRESSURE TEST	PT 27 bar
CYLINDER VOLUME	7,8 L.
SAFETY VALVE	Set between 22 and 27 bar
CYLINDER MATERIAL	Stainless steel AISI 304
EXTERNAL/INTERNAL TREATMENT	Polishing

PACKAGING

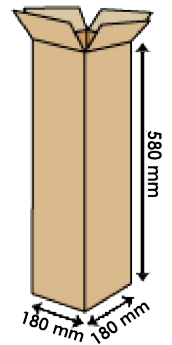
STANDARD : maximum 100 pieces for pallet
(44 pieces for box, max 2 boxes for pallet)
(12 pieces in single packaging)
Pallet dimensions 100x120x160(h) cm



SINGLE PACKAGING

ON REQUEST:

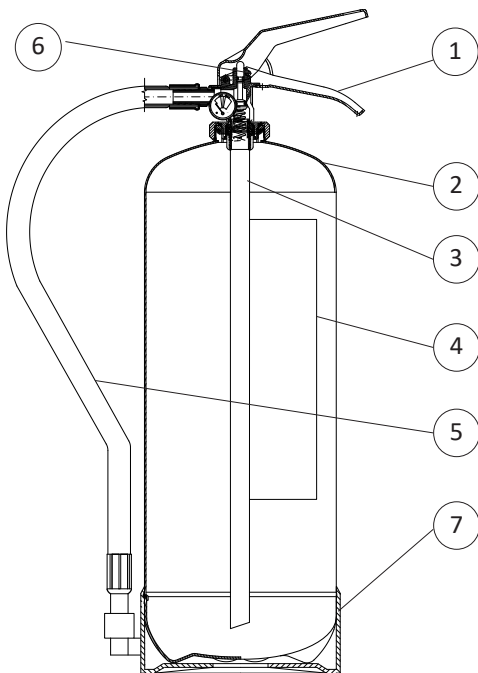
- maximum 64 pieces on pallet 100x120 cm
- maximum 48 pieces on pallet 80x120 cm



Note: the packaging quantities and measurements are indicative and can be subject at changes

MAINTENANCE AND INSTALLATION

For outdoor or marine installation is recommended to protect the fire extinguisher with cover or box. Maintenance according to the rules in use in utilization country.



SPARE PARTS

NUMBER	DESCRIPTION	
1	Valve M. 58x2	
2	Cylinder	
3	PVC dip tube	
4	Label	
5	Hose	
6	Safety pin	
7	PELD base	
	Safety valve	
	Safety pin seal	
	Check valve	
	ABC powder - MAP 20 % (6 Kg recharge)	
OPTIONAL	Wall-mounted bracket for fire extinguisher with clip, red painting	