



## 100 Kg Powder WHEELED FIRE EXTINGUISHER



- **CYLINDER**  
Alloy steel, epoxy polyester powder painting, Red Ral 3000.
- **EXTINGUISHING AGENT**  
ABC Powder - MAP 40 %.
- **PROPELLANT**  
Aria deumidificata o N<sub>2</sub>.
- **VALVE**  
2"-F, brass body, lever with red painting Ral 3000.
- **USE**  
A B C fire rating (solid materials, flammable liquids, flammable gas).
- **BRACKET**  
Chassis on wheels, welded at the cylinder, red painting Ral 3000.

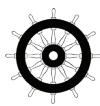
*Note: image is for illustrative purpose only, the product purchased can has some differences*

100 Kg powder wheeled fire extinguisher, temperature range from -30°C to +60°C, manufactured in accordance to **EN 1866-1**, approved to European Marine Directive **MED 2014/90/EU, S.O.L.A.S.** (Safety of life at sea) '74 (2000), certified according to the directive for pressure equipment PED 2014/68/EU. Quality Product certification guaranteed by Bureau Veritas Italia. Suitable for use on fire involving electrical voltages up to 1'000 V, at a distance of 1 mt.

### AVAILABLE VERSIONS

N.	CODE	DESCRIPTION
1	16118	100 Kg powder fire extinguisher, complies <b>MED 2014/90/EU</b>

APPROVED/CERTIFIED FIRE EXTINGUISHER:



**FIRE RATING :**



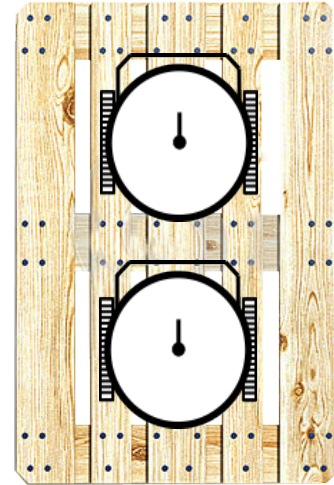
# 100 Kg Powder WHEELED FIRE EXTINGUISHER

## TECHNICAL SPECIFICATIONS

FIRE RATING	A IV B C
EXTINGUISHING AGENT	EPB 0351 (QFIRE-40) ABC Powder - MAP 40 %
PROPELLANT	Dehumidified air or N <sub>2</sub> ,14 Bar at 20°C
TEMPERATURE RANGE	-30°C / +60°C
NOMINAL CHARGE	100 Kg
FULL WEIGHT	~ 146 Kg
DIMENSIONS	Height 1300 mm Width 560 mm Depth 540 mm
DISCHARGE TIME	62 sec.
VALVE TIGHTENING TORQUE	Minimum 60 Nm, Maximum 70 Nm
CYLINDER PRESSURE TEST	PT 30 bar
CYLINDER VOLUME	102 L.
SAFETY VALVE	Set 24 +/- 2 bar
CYLINDER MATERIAL	Alloy steel
EXTERNAL/INTERNAL TREATMENT	Sandblast and epoxy polyester powder painting, Red Ral 3000 colour

## PACKAGING

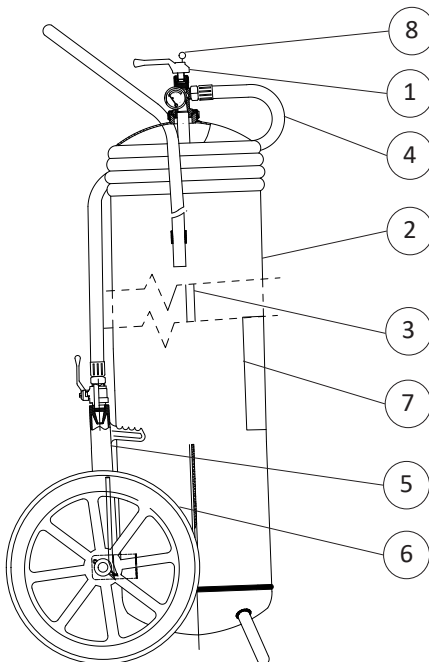
STANDARD : maximum 2 pieces for pallet  
Pallet dimensions 100x120x145(h) cm



*Note: the packaging quantities and measurements are indicative and can be subject at changes*

## MAINTENANCE AND INSTALLATION

For outdoor or marine installation is recommended to protect the fire extinguisher with cover. Maintenance according to the rules in use in utilization country.



## SPARE PARTS

NUMBER	DESCRIPTION	
1	Valve 2"-F	
2	Cylinder	
3	PVC dip tube	
4	Hose	
5	Dispensing nozzle (complete of ball valve with control lever)	
6	Wheel + wheel stop (diam. 400mm)	
7	Label	
8	Safety pin	
	Safety valve	
	Safety pin seal	
	ABC powder - MAP 40 % (25 Kg recharge)	